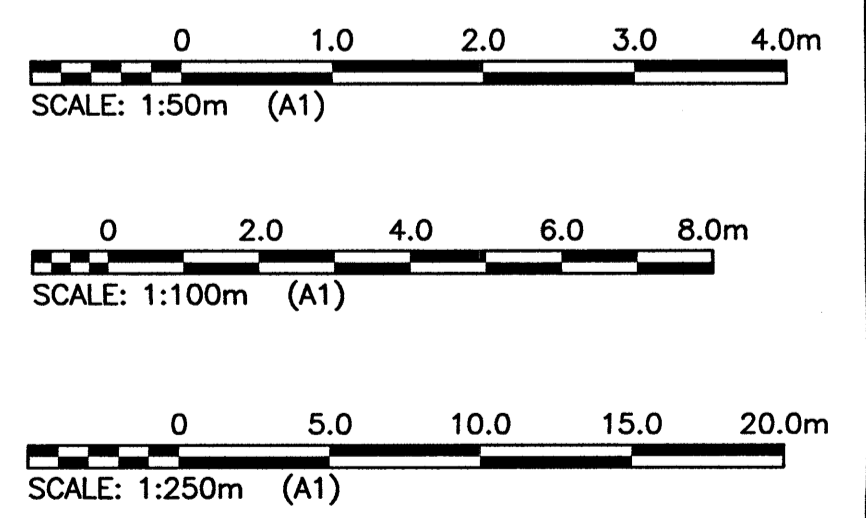
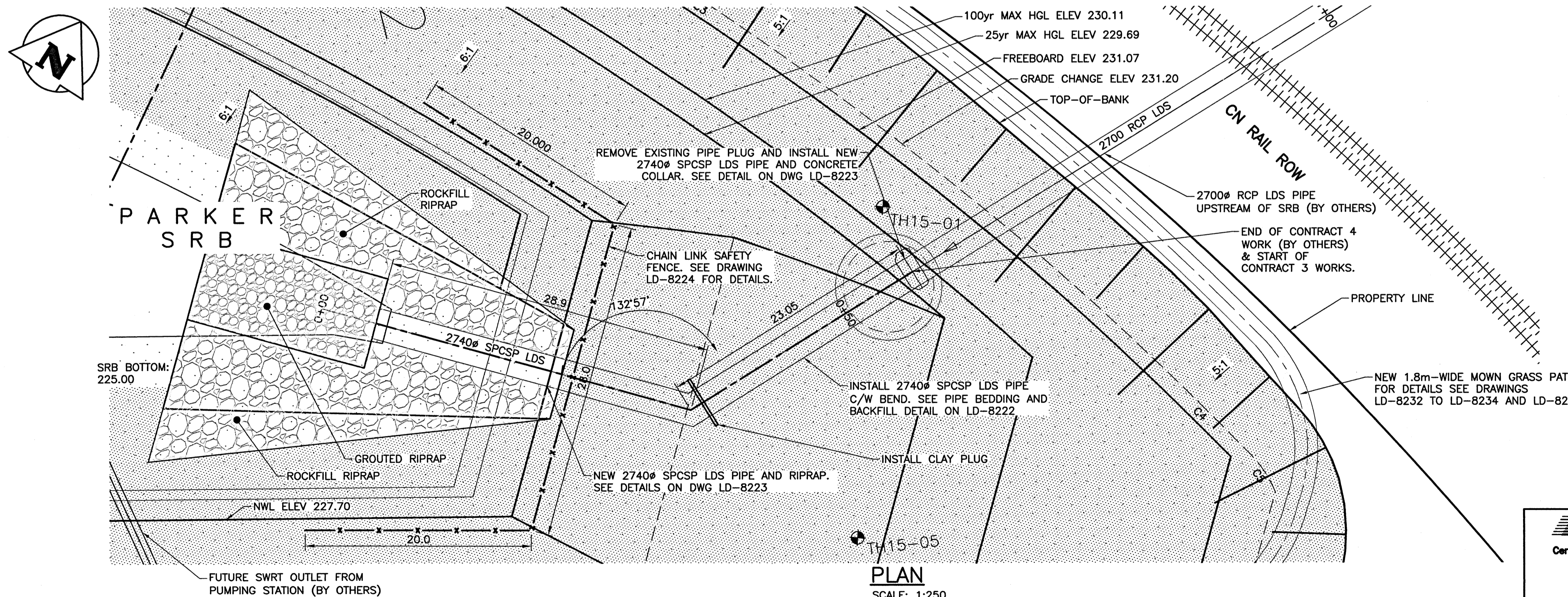
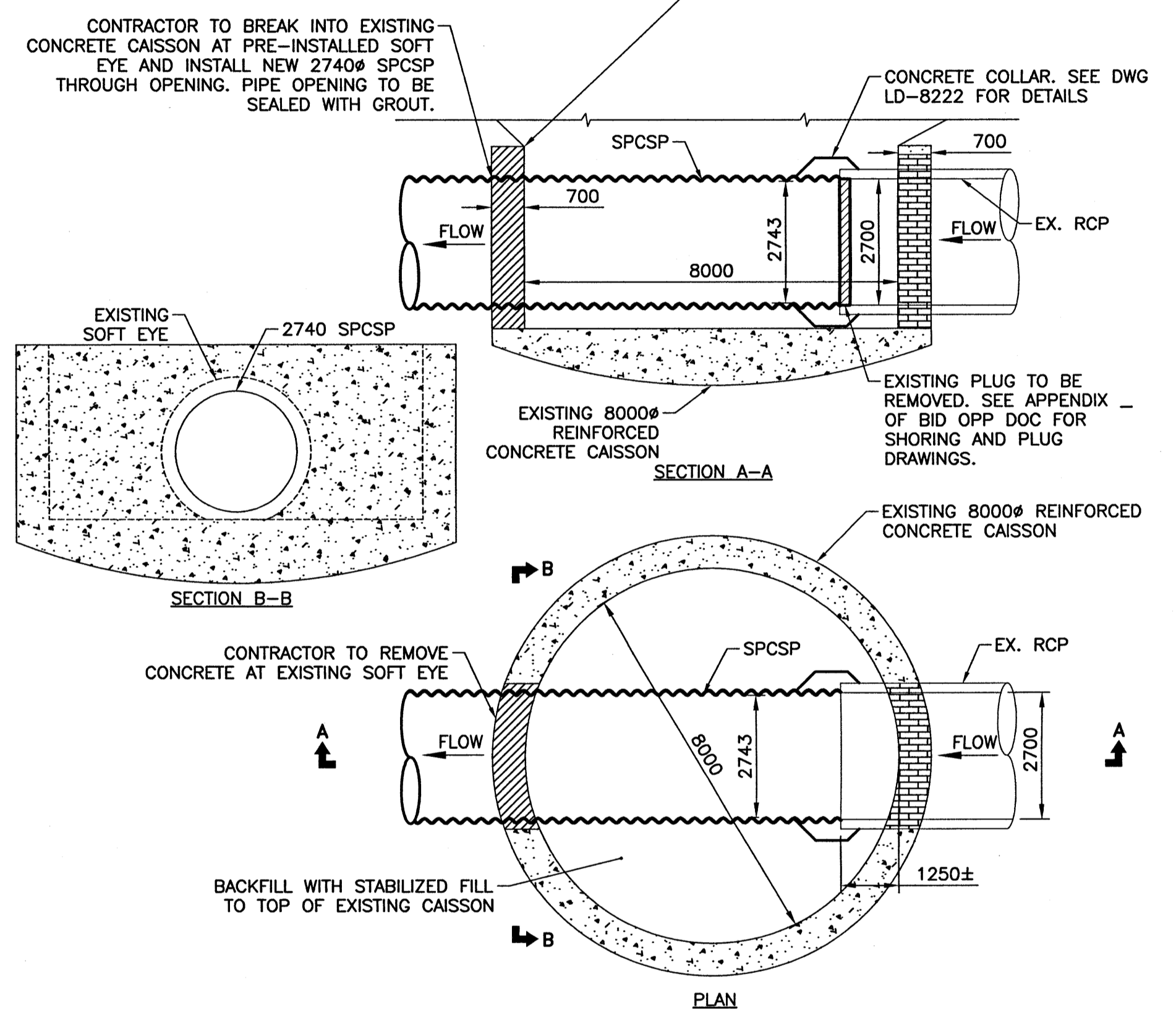
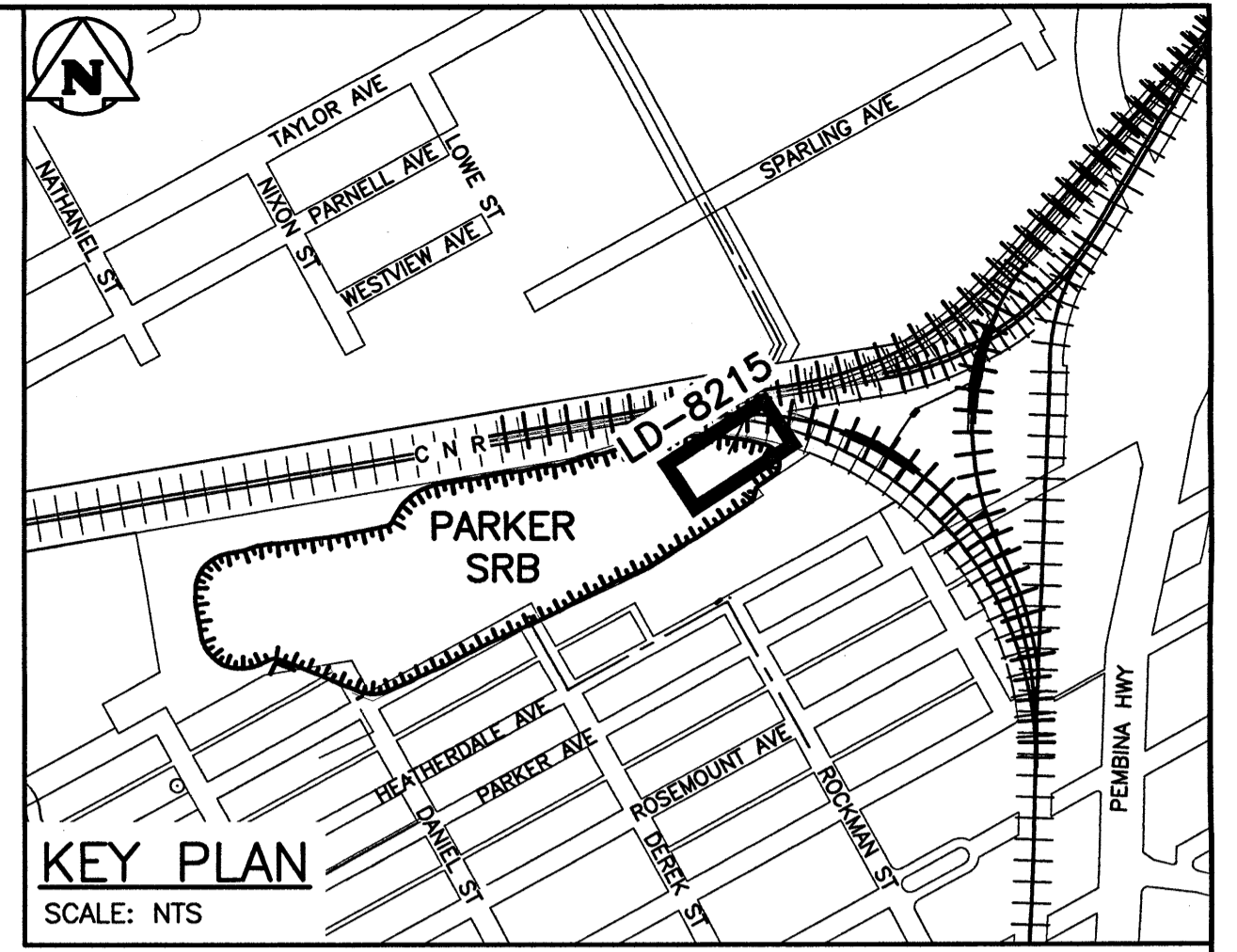
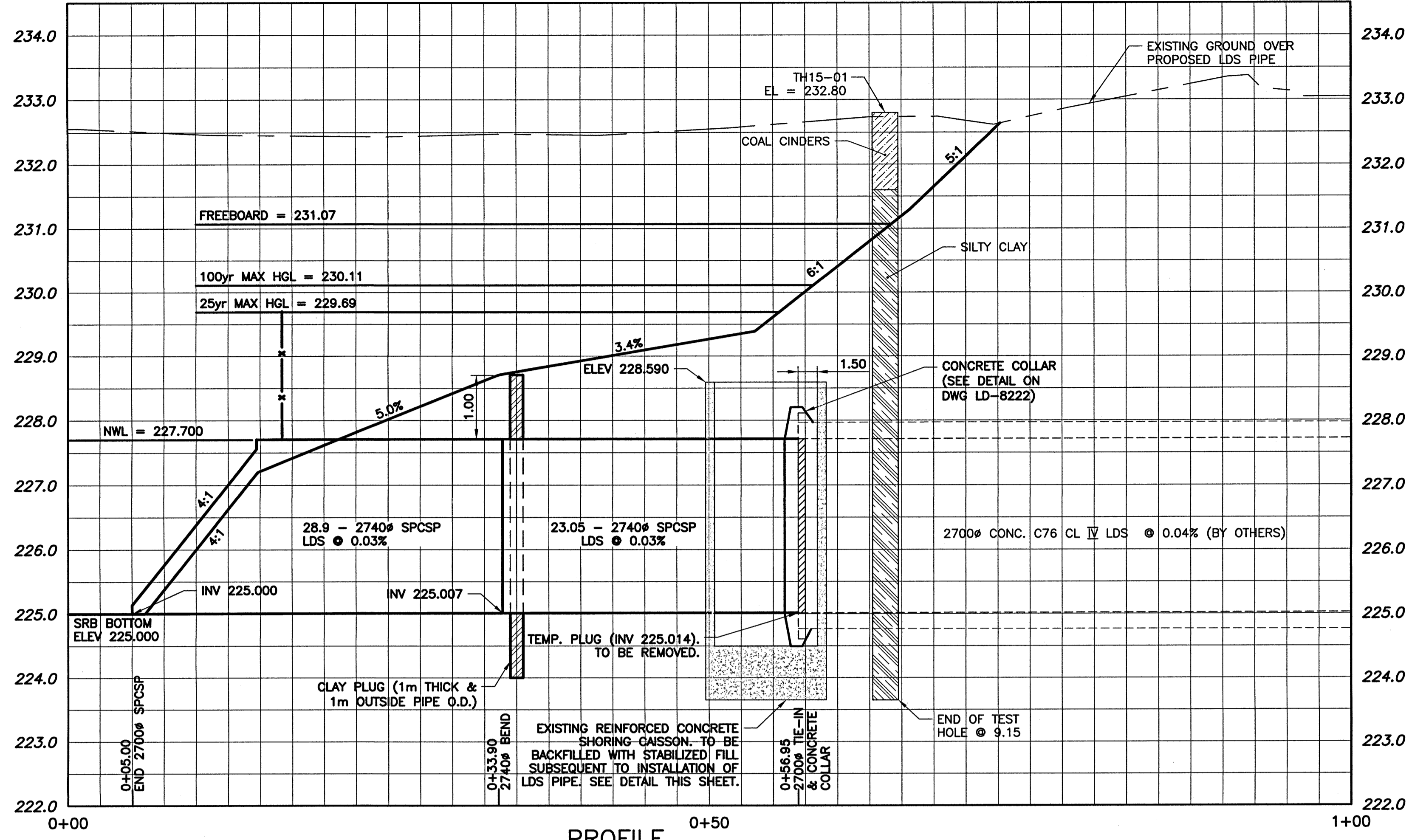


File Name: P:\Projects\2011\11-0107-18\_POND.dwg - Tab: C304 Plotted By: Gloewen 17/07/12 [Wed 2:08pm]



**WARNING**

- NOTIFY THE GAS COMPANY OF THE PROPOSED LOCATION OF EXCAVATION.
- TAKE PRECAUTION TO AVOID DAMAGE TO GAS COMPANY INSTALLATIONS.
- SEE PROVINCIAL REGULATION 210/72 FOR DETAILS.

**PROPERTY LIMITS DELINEATION**

DELINEATION OF PROPERTY LIMITS AS SHOWN ON THIS DWG DOES NOT REPRESENT A "LEGAL SURVEY". KGS GROUP MAKES NO REPRESENTATION OR WARRANTY AS TO THE ACCURACY OF PROPERTY LIMITS DELINEATED ON THIS DWG, NOR ON THE DIMENSIONAL ACCURACY OF DWG FEATURES RELATIVE TO THOSE PROPERTY LIMITS.

**METRIC**  
WHOLE NUMBERS INDICATE MILLIMETRES  
DECIMAL NUMBERS INDICATE METRES

150 WM	WATER MAIN	150 WM	HYDRANT	150 WM	WATER MAIN	150 WM	HYDRANT, VALVE
300 LDS	LAND DRAINAGE SEWER	300 LDS	VALVE	300 LDS	LAND DRAINAGE SEWER	300 LDS	MANHOLE
250 WWS	WASTE WATER SEWER	250 WWS	MANHOLE	250 WWS	WASTE WATER SEWER	250 WWS	CATCH BASIN
	HYDRO		CATCH BASIN		HYDRO		CURB INLET
	M.T.S.		CURB INLET		M.T.S.		RAILWAY TRACKS
	GAS		RAILWAY TRACKS		GAS		DITCH
	CONCRETE		DITCH		CONCRETE		FENCE
	ASPHALT		FENCE		ASPHALT		HYDRO POLE
	SIDEWALK		HYDRO POLE		SIDEWALK		HYDRO TOWER
	TURF STONE		HYDRO TOWER		TURF STONE		TEST HOLE
	PROPERTY LINE		TEST HOLE		PROPERTY LINE		
EXISTING	LEGEND-PLAN	PROPOSED	EXISTING	LEGEND-PLAN	PROPOSED	EXISTING	LEGEND-PROFILE
			PROPOSED				PROPOSED

**LOCATION APPROVED UNDERGROUND STRUCTURES**

SUPPLY U/G STRUCTURES DATE COMMITTEE

NOTE:  
LOCATION OF UNDERGROUND STRUCTURES AS SHOWN ARE BASED ON THE BEST INFORMATION AVAILABLE BUT NO GUARANTEE IS GIVEN THAT ALL EXISTING UTILITIES ARE SHOWN OR THAT THE GIVEN LOCATIONS ARE EXACT. CONFIRMATION OF EXISTENCE AND EXACT LOCATION OF ALL SERVICES MUST BE OBTAINED FROM THE INDIVIDUAL UTILITIES BEFORE PROCEEDING WITH CONSTRUCTION.

B.M. KGS BASE ELEV.	ALL DATA PROVIDED IS IN UTM ZONE 14, NAD83, CSRS, CGVD28
0	ISSUED FOR CONSTRUCTION 17/07/12
NO. REVISIONS	DATE BY

<b>KGS GROUP</b> CONSULTING ENGINEERS	DESIGNED BY JMM	CHECKED BY RBO
	DRAWN BY GEL	APPROVED BY [Signature]
	HOR. SCALE: 1:250	RELEASED FOR CONSTRUCTION [Signature]
	VERTICAL: 1:50	DATE 7-12-17
	DATE 16/06/10	

ENGINEER'S SEAL  
R.E. OFFMAN  
Member  
24701  
REGISTERED PROFESSIONAL ENGINEER

**THE CITY OF WINNIPEG**  
WATER AND WASTE DEPARTMENT

PROJECT TITLE  
**COCKBURN/CALROSSIE COMBINED SEWER RELIEF WORKS - CONTRACT 3**

STORMWATER RETENTION BASIN OUTLET  
**PLAN/PROFILE**

CONSULTANT DRAWING NO.  
**11-0107-18\_C304**

SHEET OF  
**1 OF 1**

COMPUTER FILE NAME  
**11-0107-18\_POND**

CITY DRAWING NUMBER  
**LD-8215**